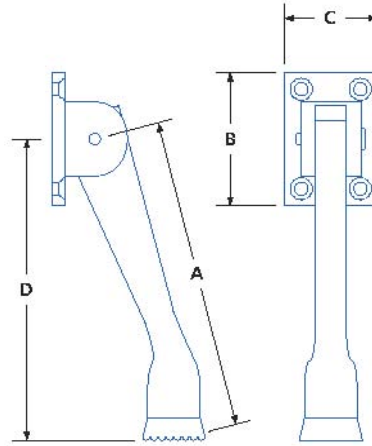


#17 Kick Down Door Holder



Model #	Material	finish	A	B	C	D
17	Zinc die-cast	C26D	5 (127)	2 (50.8)	1 3/8 (34.9)	4 3/4 (121)