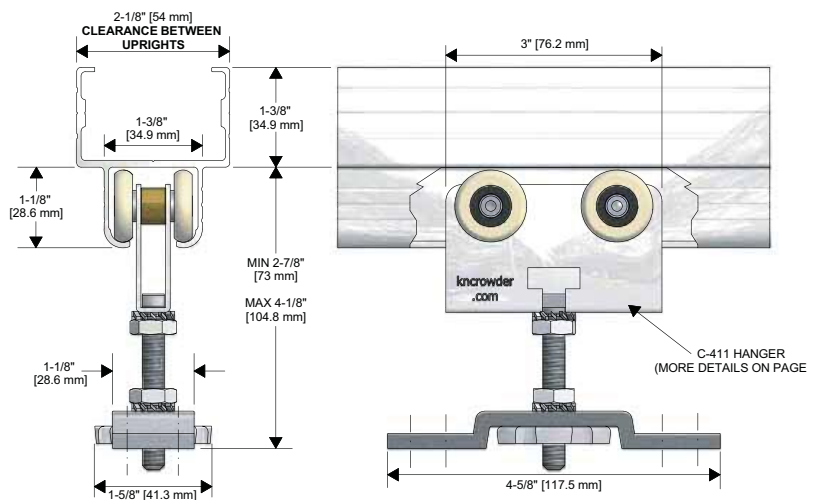


TYPE C



KEY FEATURES:

- Complete Pocket Door Kit (Crowderframe) with **C-411** "Spinwheel" Quick Release Hanger
- For 1-3/8" to 1-3/4" Thick Doors.
- 150,000 Cycle Tested Precision Ball Bearing wheels.
- Smooth & silent sliding doors.
- Roll formed steel uprights for less deflection and easy to screw into for drywall fastening!
- Standard Type C Crowderframe is suitable for one door from 2'-0" to 3'-0" wide x 6'-8" to 7'-0" high.
- Extra Width, Double Pocket Doors & Shim Kits also available.
- Load Capacity **150lbs. (two hangers)**



Part Number:	Part Description:		
Customer Name:	Job Number/Name:	Date:	Provided By:
Notes:			