

# INTRODUCING Crowdertrack's Catch'N'Close™ Systems

New technology from Crowder.  
Closes slowly, safely, and silently.

**Catch'N'Close™**  
by K.N. Crowder



Prevents bouncing  
and slamming  
of Crowdertrack's  
sliding doors • Can be  
installed on both  
opening and closing  
ends of doors as  
narrow as 18" wide  
• For doors up to  
300lbs • Cycle tested  
up to 50,000 times

[www.kncrowder.com](http://www.kncrowder.com) • 1-866-999-1KNC (1562)

**KNC**  
K.N.CROWDER-MFG. INC.

# Catch'N'Close™

by K.N. Crowder

**Crowdertrack's revolutionary technology allows sliding doors to close and stay closed -- safely, securely and silently, all with the introduction of the Catch'N'Close™ closing system --**

Bouncing and slamming is no longer an issue for Crowdertrack's sliding doors as the Catch'N'Close technology allows for smooth and controlled opening and closing of the door. The door will automatically slow and shut itself for the final few inches as the door travels to the open/closed position. No more jamming fingers or slamming doors.

"Safety is a top concern at Crowder. The Catch'N'Close closing system allows the door to safely and securely close," said Jeremy Crowder, Vice President K.N. Crowder.

## THE BENEFITS:

### Silent close

If noise reduction and privacy is a priority, the Catch'N'Close closing system is ideal. Long-term care facilities, hotels, hospitals, offices, conference rooms, bedrooms and bathrooms are just a few spaces that can benefit from this new technology.

### Safety

The Catch'N'Close closing system eliminates accidental closure of the door on users' fingers. Residential and commercial facilities who are catering to small children, the elderly, or individuals who require additional care are perfect candidates for the system.

### Ease of use

The Catch'N'Close closing system is extremely user friendly as the door gently glides into the open/closed position without user assistance. The user is no longer responsible for ensuring that the door is either in the fully open or closed position as the Catch'N'Close mechanism does it for them.

### The Technology

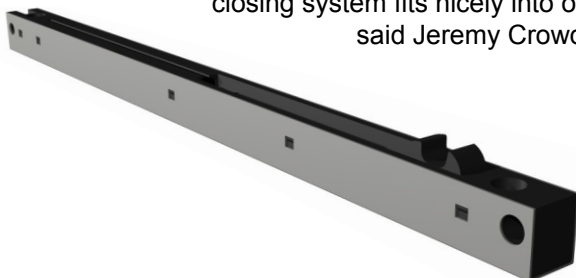
K.N. Crowder is the first to use the gas spring technology to create a top of the line door closing system. The closing system can be installed on both the opening and closing ends of doors up to 300 lbs. or as narrow as 18 inches wide. It has been cycle tested for up to 50,000 cycles without fail.

The Catch'N'Close closing system has the unique ability to safeguard the door and hardware from wear and tear. The system eliminates slamming; protecting the user, the door and the door frame.

### Installation

The installation is easy as the Catch'N'Close closing system is hidden inside the Crowdertrack and requires no additional installation efforts. The product can be used on top/side mounted doors, pocket doors, single and bi-parting doors and some barn door applications. In the event there is any issue, or customers want to replace the closing device with a new one, there is no need to take apart the door or wall as the new closing system can easily be accessed or installed/removed from underneath the track.

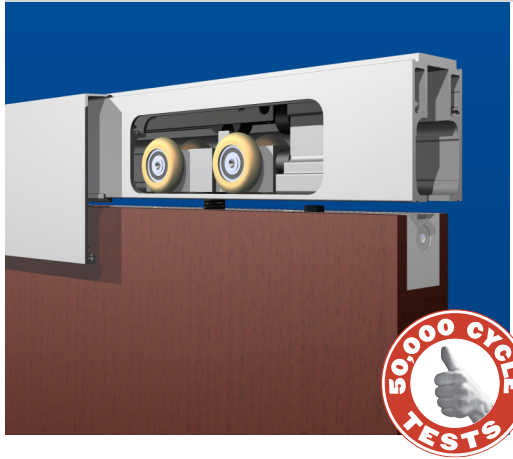
"Our customers have always wanted quality, highly functional products that look great! The Catch'N'Close closing system fits nicely into our collection of quality sliding door hardware",  
said Jeremy Crowder, Vice President K.N. Crowder.



**K.N. Crowder Mfg. Inc.**  
1220 Burloak Drive  
Burlington, Ontario, Canada  
L7L 6B3

**K.N. Crowder Inc.**  
210 Eighth Street South  
Lewiston, New York  
14092

## MEDIUM TO HEAVY-DUTY TOP MOUNT SYSTEMS



### CC-810 Zero Clearance Hanger

With CC-904 Top Mount Track

For Single or Bi-Parting, By-Passing, Pocket or Wall Mounted Doors.

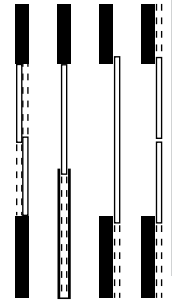
Using the popular design from the standard C-810 Zero Clearance Hangers, our well-known precision ball bearing nylon tire wheels, and adding Catch'N'Close technology, results in the ultimate sliding door system! The CC-810 Hanger allows for a minimal clearance of 3/16" [4.8mm] between the door and underside of track which also reduces light and sound entry. Using the new CC-904 Track, combined with the CC-940 Fascia can result in significant savings by eliminating the need for constructing a bulkhead to hide the track & hardware.

- **CC-810** Hanger Load Capacity **300 lbs. (two Hangers)**
- Use with Extruded Aluminum **CC-904 Track**, 6061T6 Alloy
- Use with **CC-2** Catch'N'Close closing device for up to **200lbs. doors**
- Use with **CC-3** Catch'N'Close closing device for up to **300lbs. doors**

Up to  
300lbs.  
per door

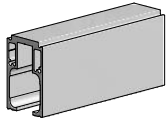


CC-904

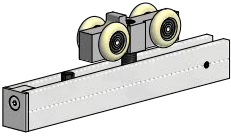


### CC-?-810 X (track size)" 1DR KIT COMPLETE

Complete Kits available for 24" [610 mm] to 72" [1829 mm] wide doors.



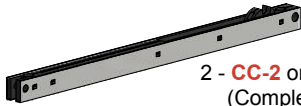
- 1 - **CC-904** Top Mount Track X Length (2 x Door Width)  
(Example: 36" [914mm] Door = 72" [1829mm] Track)



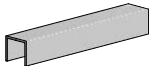
- 2 - **CC-810** Zero Clearance Catch'N'Close Hangers  
(Complete with screws & adjustment tools)



- 2 - **CC-101HD** Catch'N'Close In-track Stops  
(Complete with set screws for friction fit)



- 2 - **CC-2** or **CC-3** Catch'N'Close closing device  
(Complete with screws. See above for weight capacity)



- 1 - **C-914** Guide Channel X Length (equal to Door Width)  
(Example: 36" [914mm] Door = 36" [914mm] Guide Channel)



- 1 - **C-913** Floor Guide  
(Complete with screws)

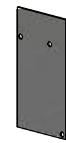
### OPTIONAL PRODUCTS



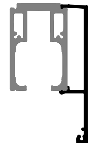
FOR:



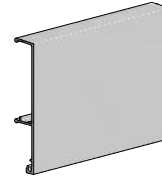
- CC-941** End Cap only  
(For use with CC-904 Track only)



FOR:



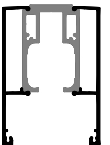
- CC-942** End Cap only  
(For use with CC-904 Track & **one (1)** CC-940 Fascia combination only)



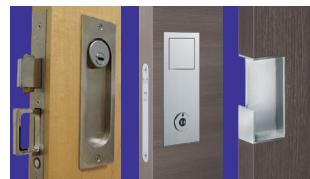
**CC-940** Snap-On Fascia



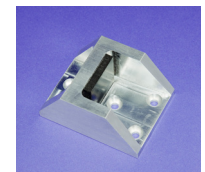
FOR:



- CC-943** End Cap only  
(For use with CC-904 Track & **two (2)** CC-940 Fascia combination only)

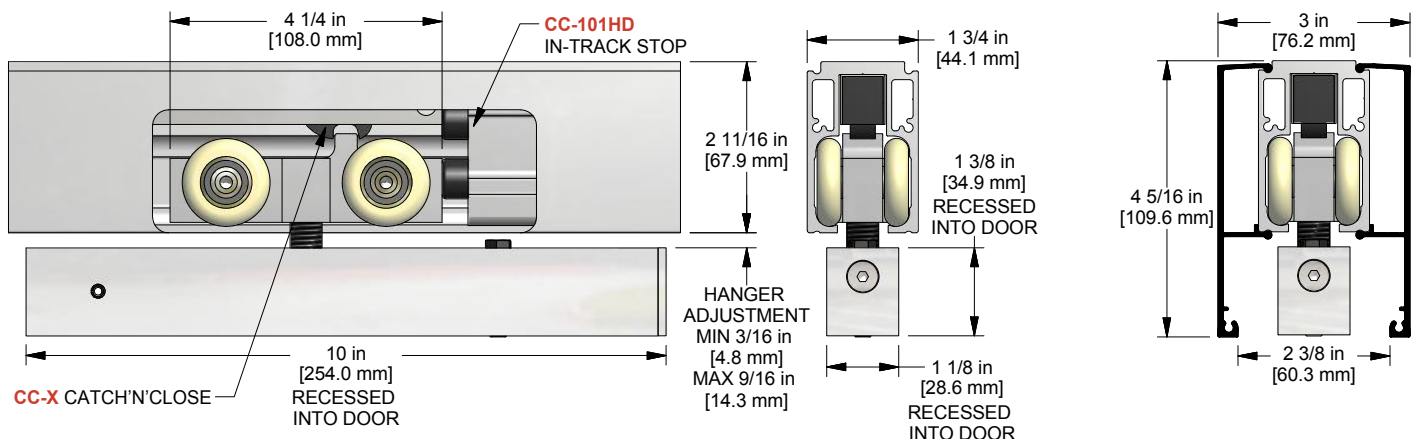


For **Door Locks & Pulls**,  
see pages 72-75 in the  
K.N. Crowder Sliding Door  
Track & Hardware Catalogue



**C-102HD** Floor Stop

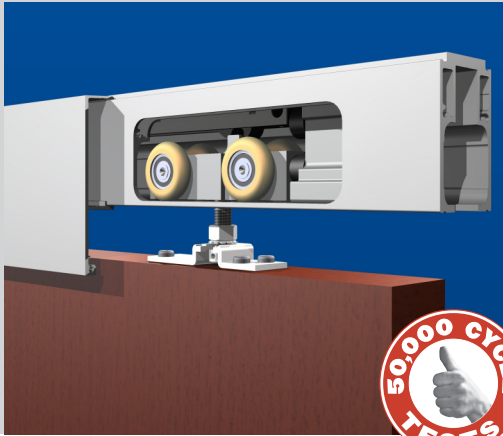
### CC-810 HANGER WITH CC-904 TRACK DETAIL



[Optional **CC-940** Snap-On Fascia illustrated as solid **black** profile.  
Can be used on both sides of the track or one side only]

## MEDIUM TO HEAVY-DUTY TOP MOUNT SYSTEMS

Architecture & Design  
Collection



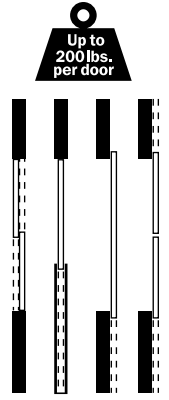
### CC-993 Easy Connect Hanger

With CC-904 Top Mount Track

For Single or Bi-Parting Wall Mounted Doors.

Using the popular design from the standard C-993 Easy Connect Hangers, our well-known precision ball bearing nylon tire wheels, and adding Catch'N'Close technology, results in the ultimate sliding door system! The CC-993 Hanger has a quick disconnect stud which allows hanger body and stud to be inserted into the track while mounting. The top plate is mounted to the top of the door and accepts the quick disconnect stud, therefore reducing installation time. Using the new CC-904 Track, combined with the CC-940 Fascia can result in significant savings by eliminating the need for constructing a bulkhead to hide the track & hardware.

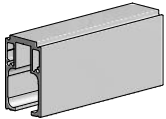
- **CC-993** Hanger Load Capacity **200 lbs. (two Hangers)**
- Use with Extruded Aluminum **CC-904 Track**, 6061T6 Alloy
- Use with **CC-2** Catch'N'Close closing device for up to **200lbs. doors**



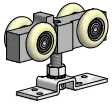
CC-904

### CC-2-993 X (track size)" 1DR KIT COMPLETE

Complete Kits available for 24" [610 mm] to 72" [1829 mm] wide doors.



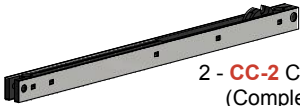
- 1 - **CC-904** Top Mount Track X Length (2 x Door Width)  
(Example: 36" [914mm] Door = 72" [1829mm] Track)



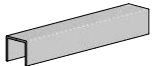
- 2 - **CC-993** Easy Connect Catch'N'Close Hangers  
(Complete with screws & adjustment rod)



- 2 - **CC-101HD** Catch'N'Close In-track Stops  
(Complete with set screws for friction fit)



- 2 - **CC-2** Catch'N'Close closing device  
(Complete with screws)



- 1 - **C-914** Guide Channel X Length (equal to Door Width)  
(Example: 36" [914mm] Door = 36" [914mm] Guide Channel)



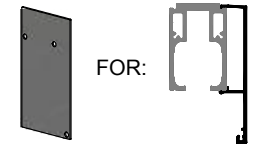
- 1 - **C-913** Floor Guide  
(Complete with screws)

### OPTIONAL PRODUCTS



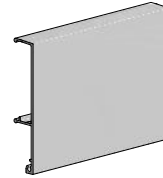
FOR:

- CC-941** End Cap only  
(For use with CC-904 Track only)

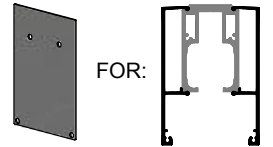


FOR:

- CC-942** End Cap only  
(For use with CC-904 Track & **one (1)** CC-940 Fascia combination only)



**CC-940** Snap-On Fascia

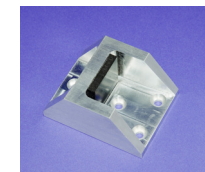


FOR:

- CC-943** End Cap only  
(For use with CC-904 Track & **two (2)** CC-940 Fascia combination only)

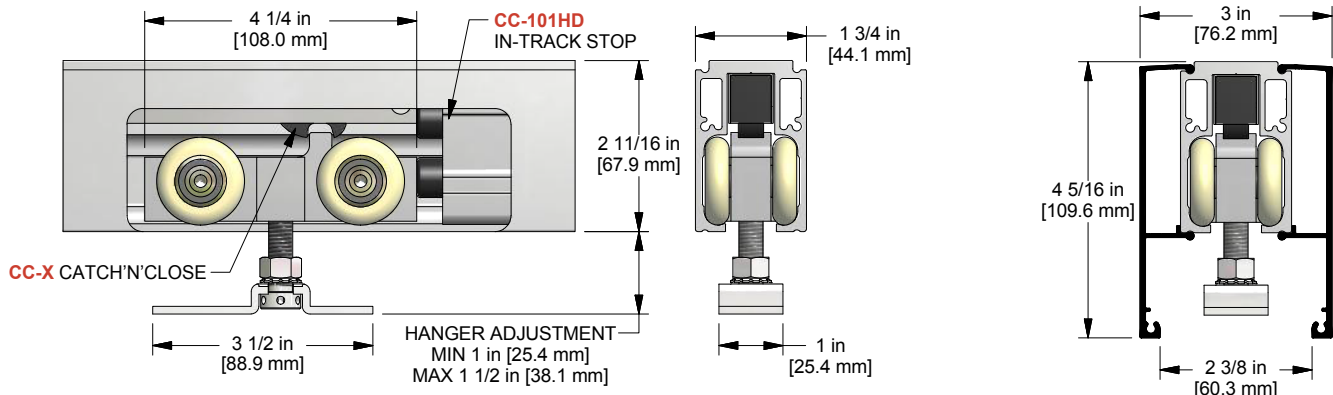


For **Door Locks & Pulls**,  
see pages 72-75 in the  
K.N. Crowder Sliding Door  
Track & Hardware Catalogue



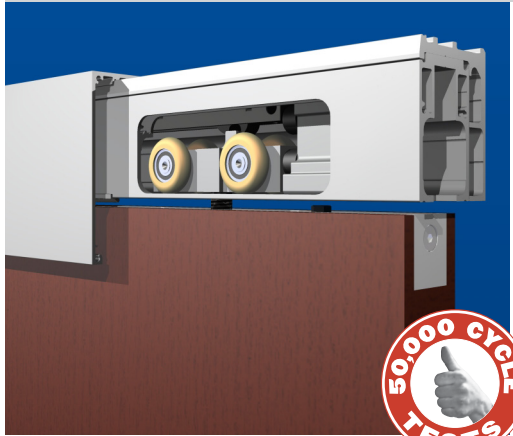
**C-102HD** Floor Stop

### CC-993 HANGER WITH CC-904 TRACK DETAIL



[Optional **CC-940** Snap-On Fascia illustrated as solid **black** profile.  
Can be used on both sides of the track or one side only]

## MEDIUM TO HEAVY-DUTY BRACKET MOUNT SYSTEMS



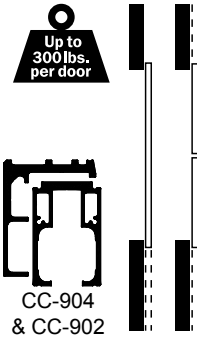
### CC-810 Zero Clearance Hanger

With CC-902 Side Mount Bracket & CC-904 Top Mount Track

For Single or Bi-Parting Wall Mounted Doors.

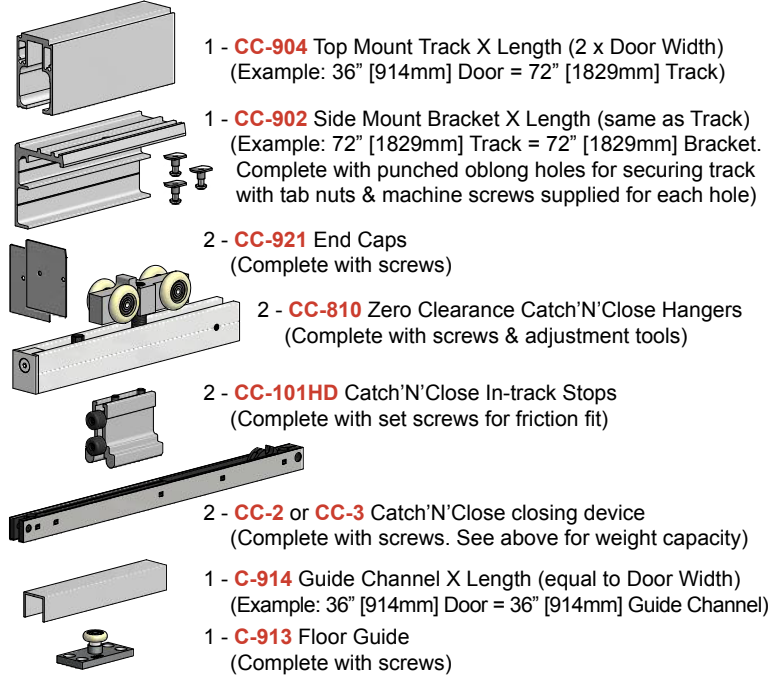
Using the popular design from the standard C-810 Zero Clearance Hangers, our well-known precision ball bearing nylon tire wheels, and adding Catch'N'Close technology, results in the ultimate sliding door system! The CC-810 Hanger allows for a minimal clearance of 3/16" [4.8mm] between the door and underside of track which also reduces light and sound entry. Using the new CC-904 Track, combined with the CC-902 Side Mount Bracket & CC-902 Fascia can result in significant savings by eliminating the need for constructing a bulkhead to hide the track & hardware.

- **CC-810** Hanger Load Capacity **300 lbs. (two Hangers)**
- Use with Extruded Aluminum **CC-904 Track**, 6061T6 Alloy
- Use with Extruded Aluminum **CC-902 Bracket**, 6061T6 Alloy
- Use with **CC-2 Catch'N'Close** closing device for up to **200lbs. doors**
- Use with **CC-3 Catch'N'Close** closing device for up to **300lbs. doors**



### CCB-?-810 X (track size)" 1DR KIT COMPLETE

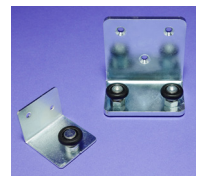
Complete Kits available for 24" [610 mm] to 72" [1829 mm] wide doors.



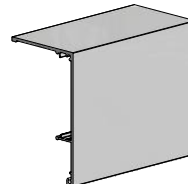
### OPTIONAL PRODUCTS



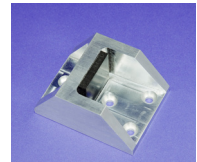
**CC-921** End Cap only  
(For use with CC-904 Track & CC-902 Bracket combination only)



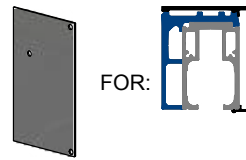
**CSM-913-108** or **CSM-913-2HD**  
Side Mount Guides



**CC-920** Snap-On Fascia



**C-102HD** Floor Stop

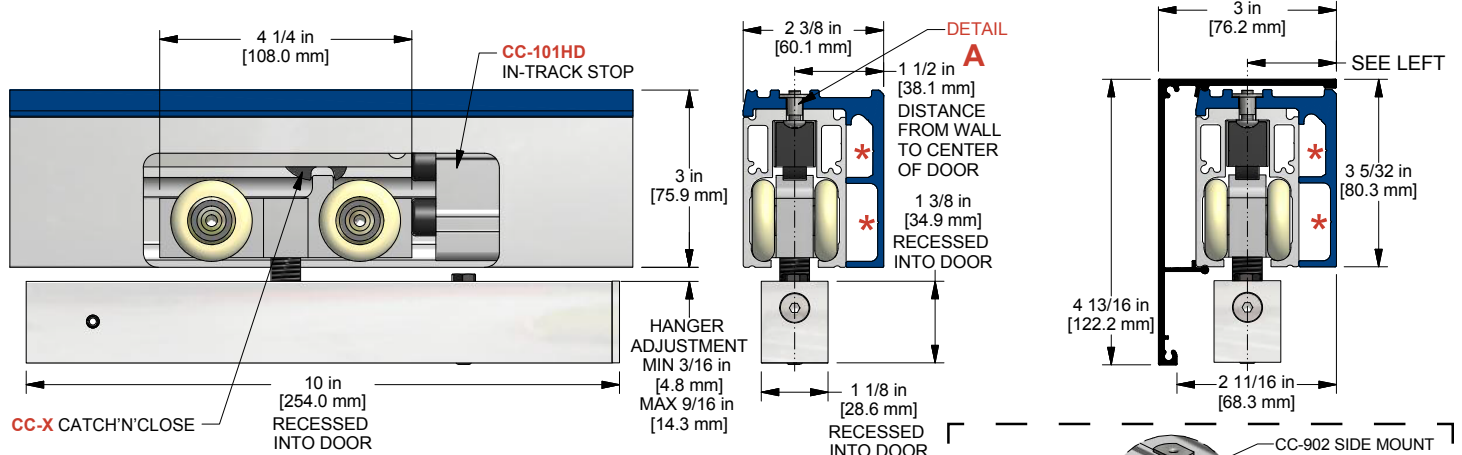


**CC-922** End Cap only  
(For use with CC-904 Track, CC-902 Bracket & CC-920 Fascia combination only)



For **Door Locks & Pulls**, see pages 72-75 in the K.N. Crowder Sliding Door Track & Hardware Catalogue

### CC-810 HANGER WITH CC-904 TRACK & CC-902 SIDE MOUNT BRACKET DETAIL

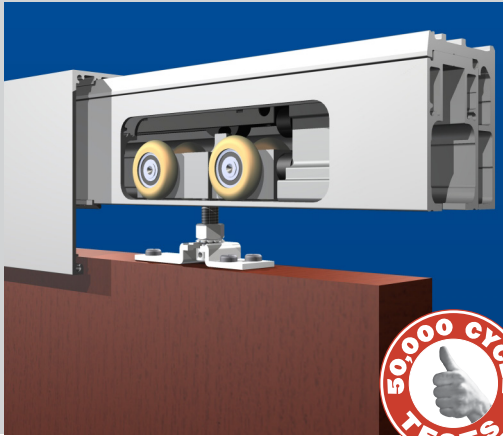


[CC-902 Side Mount Bracket illustrated as solid blue profile. Supplied in continuous lengths.]

[\*Indicates mounting locations to the wall support on CC-902 Side Mount Bracket]

[Optional CC-920 Snap-On Fascia illustrated as solid black profile]

## MEDIUM TO HEAVY-DUTY BRACKET MOUNT SYSTEMS



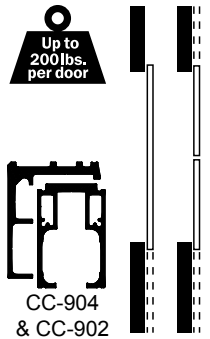
### CC-993 Easy Connect Hanger

With CC-902 Side Mount Bracket & CC-904 Top Mount Track

For Single or Bi-Parting Wall Mounted Doors.

Using the popular design from the standard C-993 Easy Connect Hangers, our well-known precision ball bearing nylon tire wheels, and adding Catch'N'Close technology, results in the ultimate sliding door system! The CC-993 Hanger has a quick disconnect stud which allows hanger body and stud to be inserted into the track while mounting. The top plate is mounted to the top of the door and accepts the quick disconnect stud, therefore reducing installation time. Using the new CC-904 Track, combined with the CC-902 Side Mount Bracket & CC-902 Fascia can result in significant savings by eliminating the need for constructing a bulkhead to hide the track & hardware.

- **CC-993** Hanger Load Capacity **200 lbs. (two Hangers)**
- Use with Extruded Aluminum **CC-904 Track**, 6061T6 Alloy
- Use with Extruded Aluminum **CC-902 Bracket**, 6061T6 Alloy
- Use with **CC-2 Catch'N'Close** closing device for up to **200lbs. doors**



### CCB-2-993 X (track size) 1DR KIT COMPLETE

Complete Kits available for 24" [610 mm] to 72" [1829 mm] wide doors.

- 1 - **CC-904** Top Mount Track X Length (2 x Door Width)  
(Example: 36" [914mm] Door = 72" [1829mm] Track)
- 1 - **CC-902** Side Mount Bracket X Length (same as Track)  
(Example: 72" [1829mm] Track = 72" [1829mm] Bracket. Complete with punched oblong holes for securing track with tab nuts & machine screws supplied for each hole)
- 2 - **CC-921** End Caps  
(Complete with screws)
- 2 - **CC-993** Easy Connect Catch'N'Close Hangers  
(Complete with screws & adjustment tools)
- 2 - **CC-101HD** Catch'N'Close In-track Stops  
(Complete with set screws for friction fit)
- 2 - **CC-2** Catch'N'Close closing device  
(Complete with screws)
- 1 - **C-914** Guide Channel X Length (equal to Door Width)  
(Example: 36" [914mm] Door = 36" [914mm] Guide Channel)
- 1 - **C-913** Floor Guide  
(Complete with screws)

### OPTIONAL PRODUCTS

**CC-921** End Cap only  
(For use with CC-904 Track & CC-902 Bracket combination only)

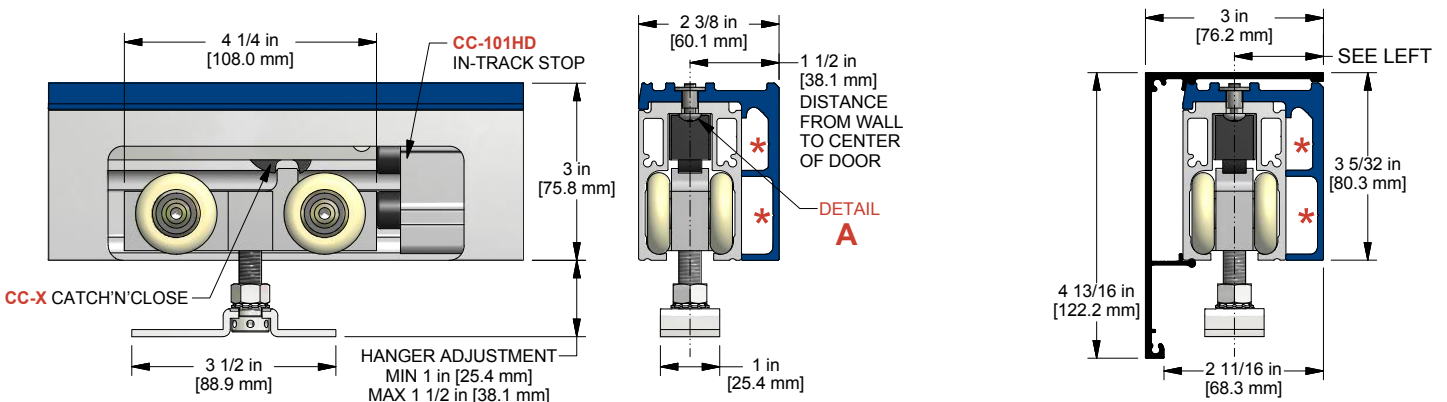
**CSM-913-108** or **CSM-913-2HD**  
Side Mount Guides

**C-102HD** Floor Stop

**CC-920** Snap-On Fascia

For **Door Locks & Pulls**, see pages 72-75 in the K.N. Crowder Sliding Door Track & Hardware Catalogue

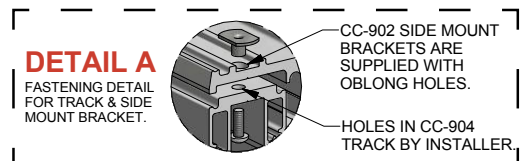
### CC-993 HANGER WITH CC-904 TRACK & CC-902 SIDE MOUNT BRACKET DETAIL



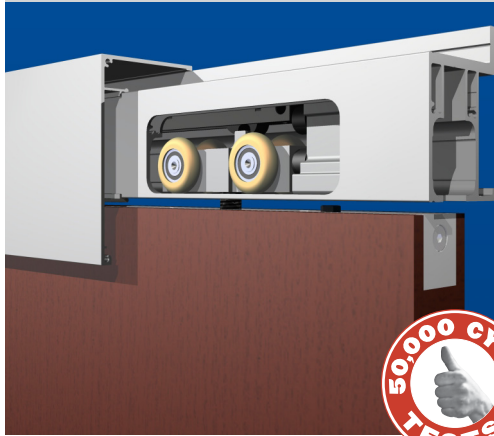
[CC-902 Side Mount Bracket illustrated as solid blue profile. Supplied in continuous lengths.]

[\*Indicates mounting locations to the wall support on CC-902 Side Mount Bracket]

[Optional CC-920 Snap-On Fascia illustrated as solid black profile]



## MEDIUM TO HEAVY-DUTY SIDE MOUNT SYSTEMS



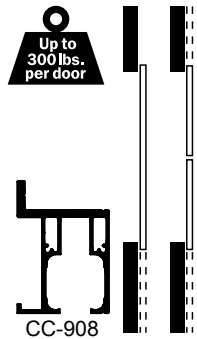
### CC-810 Zero Clearance Hanger

With CC-908 Side Mount Track

For Single or Bi-Parting Wall Mounted Doors.

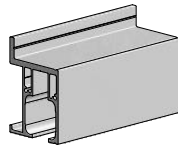
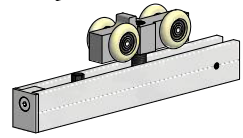
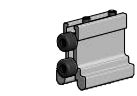
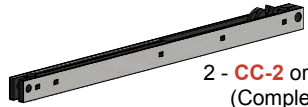
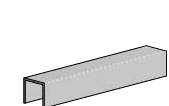

Using the popular design from the standard C-810 Zero Clearance Hangers, our well-known precision ball bearing nylon tire wheels, and adding Catch'N'Close technology, results in the ultimate sliding door system! The CC-810 Hanger allows for a minimal clearance of 3/16" [4.8mm] between the door and underside of track which also reduces light and sound entry. Using the new CC-908 Track combined with the CC-980 Fascia can result in significant savings by eliminating the need for constructing a bulkhead to hide the track & hardware.

- **CC-810** Hanger Load Capacity **300 lbs. (two Hangers)**
- Use with Extruded Aluminum **CC-908 Track**, 6061T6 Alloy
- Use with **CC-2** Catch'N'Close closing device for up to **200lbs. doors**
- Use with **CC-3** Catch'N'Close closing device for up to **300lbs. doors**

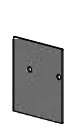
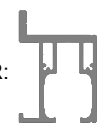
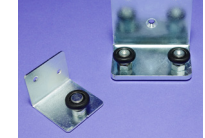
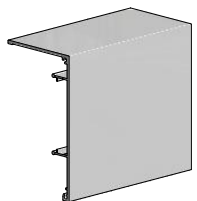
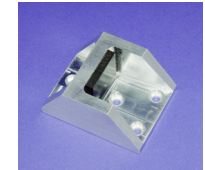

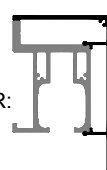



### CCS-?-810 X (track size)" 1DR KIT COMPLETE

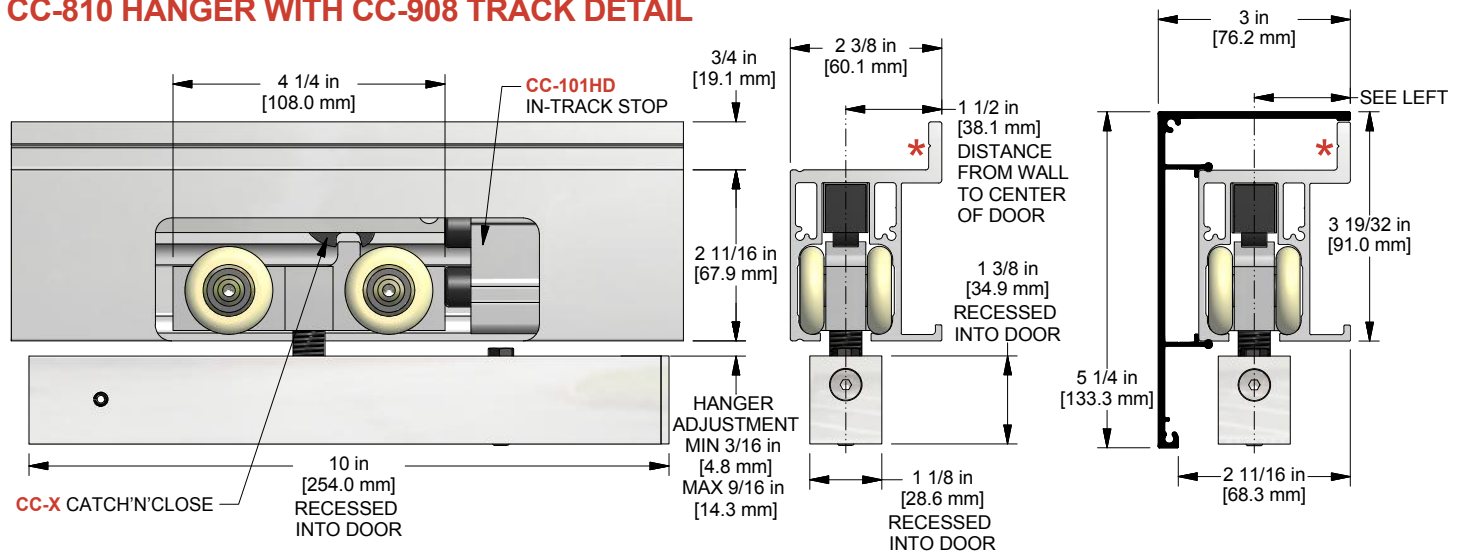
Complete Kits available for 24" [610 mm] to 72" [1829 mm] wide doors.

-  1 - **CC-908** Side Mount Track X Length (2 x Door Width)  
(Example: 36" [914mm] Door = 72" [1829mm] Track)
-  2 - **CC-810** Zero Clearance Catch'N'Close Hangers  
(Complete with screws & adjustment tools)
-  2 - **CC-101HD** Catch'N'Close In-track Stops  
(Complete with set screws for friction fit)
-  2 - **CC-2** or **CC-3** Catch'N'Close closing device  
(Complete with screws. See above for weight capacity)
-  1 - **C-914** Guide Channel X Length (equal to Door Width)  
(Example: 36" [914mm] Door = 36" [914mm] Guide Channel)
-  1 - **C-913** Floor Guide  
(Complete with screws)

### OPTIONAL PRODUCTS

-  FOR:   
**CC-981** End Cap only  
(For use with CC-908 Track only)
-   
**CSM-913-108** or **CSM-913-2HD**  
Side Mount Guides
-   
**CC-980** Snap-On Fascia
-   
**C-102HD** Floor Stop
-  FOR:   
**CC-982** End Cap only  
(For use with CC-908 Track & CC-980 Fascia combination only)
-   
For **Door Locks & Pulls**,  
see pages 72-75 in the  
K.N. Crowder Sliding Door  
Track & Hardware Catalogue

### CC-810 HANGER WITH CC-908 TRACK DETAIL



[\*]Indicates mounting flange on CC-908 Track  
[Optional **CC-980** Snap-On Fascia illustrated as solid **black** profile]

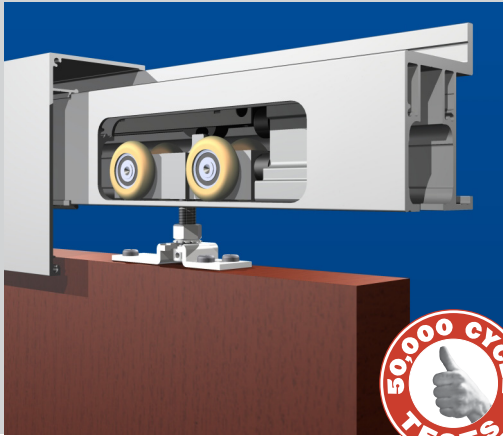
A PRODUCT OF K.N. CROWDER MFG. INC.

TOLL-FREE PHONE: 1-866-999-1KNC (1562) • TOLL-FREE FAX: 1-800-567-0123 • WEBSITE: [www.kncrowder.com](http://www.kncrowder.com) • EMAIL: [customerservice@kncrowder.com](mailto:customerservice@kncrowder.com)

© 2014 K.N. CROWDER MFG. INC. All Rights Reserved.

## MEDIUM TO HEAVY-DUTY SIDE MOUNT SYSTEMS

Architecture & Design Collection



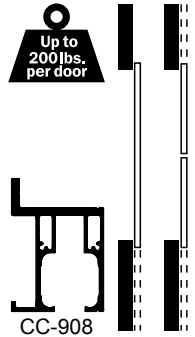
### CC-993 Easy Connect Hanger

With CC-908 Side Mount Track

For Single or Bi-Parting Wall Mounted Doors.

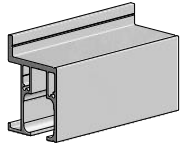
Using the popular design from the standard C-993 Easy Connect Hangers, our well-known precision ball bearing nylon tire wheels, and adding Catch'N'Close technology, results in the ultimate sliding door system! The CC-993 Hanger has a quick disconnect stud which allows hanger body and stud to be inserted into the track while mounting. The top plate is mounted to the top of the door and accepts the quick disconnect stud, therefore reducing installation time. Using the new CC-908 Track, combined with the CC-980 Fascia can result in significant savings by eliminating the need for constructing a bulkhead to hide the track & hardware.

- **CC-993** Hanger Load Capacity **200 lbs. (two Hangers)**
- Use with Extruded Aluminum **CC-908 Track**, 6061T6 Alloy
- Use with **CC-2** Catch'N'Close closing device for up to **200lbs. doors**

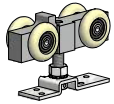


### CCS-2-993 X (track size)" 1DR KIT COMPLETE

Complete Kits available for 24" [610 mm] to 72" [1829 mm] wide doors.



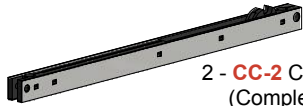
- 1 - **CC-908** Side Mount Track X Length (2 x Door Width)  
(Example: 36" [914mm] Door = 72" [1829mm] Track)



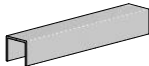
- 2 - **CC-993** Easy Connect Catch'N'Close Hangers  
(Complete with screws & adjustment rod)



- 2 - **CC-101HD** Catch'N'Close In-track Stops  
(Complete with set screws for friction fit)



- 2 - **CC-2** Catch'N'Close closing device  
(Complete with screws)

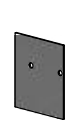


- 1 - **C-914** Guide Channel X Length (equal to Door Width)  
(Example: 36" [914mm] Door = 36" [914mm] Guide Channel)



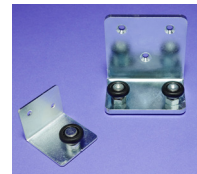
- 1 - **C-913** Floor Guide  
(Complete with screws)

### OPTIONAL PRODUCTS

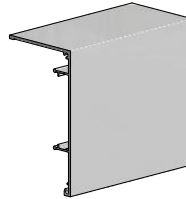


FOR:

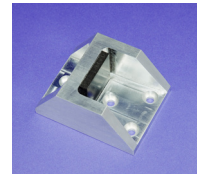
- CC-981** End Cap only  
(For use with CC-908 Track only)



- CSM-913-108** or **CSM-913-2HD**  
Side Mount Guides



- CC-980** Snap-On Fascia



- C-102HD** Floor Stop



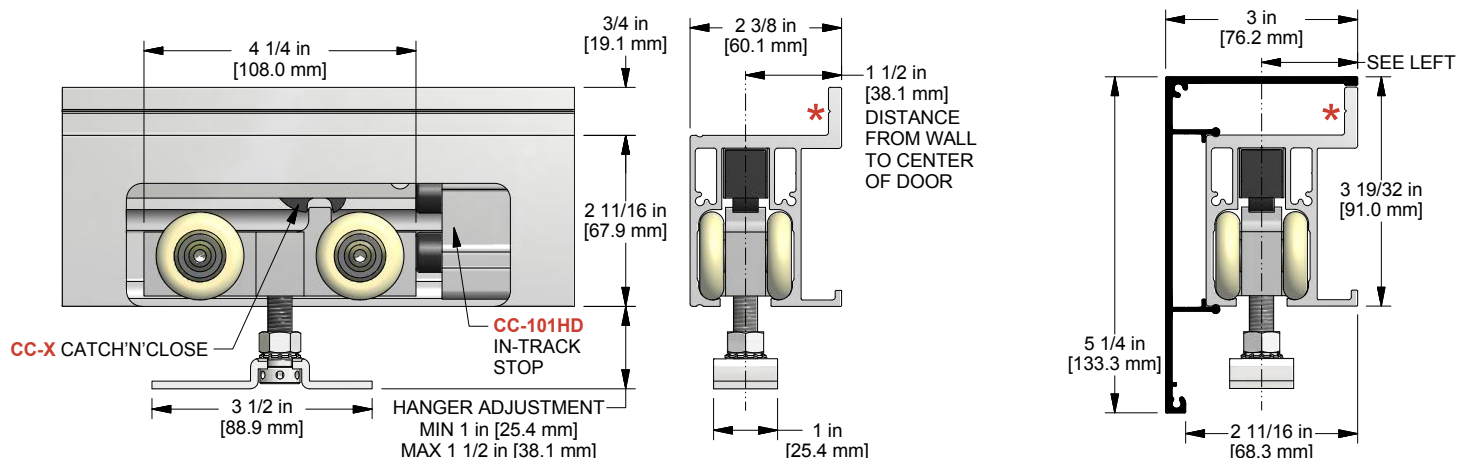
FOR:

- CC-982** End Cap only  
(For use with CC-908 Track & CC-980 Fascia combination only)



- For **Door Locks & Pulls**,  
see pages 72-75 in the  
K.N. Crowder Sliding Door  
Track & Hardware Catalogue

### CC-993 HANGER WITH CC-908 TRACK DETAIL



[\*Indicates mounting flange on CC-908 Track]

[Optional **CC-980** Snap-On Fascia illustrated as solid **black** profile]